

Spartan Jr. - Aluminum Convertible Truck Operating Instructions and Parts Manual

ATTENTION: TO INSURE SAFE AND EASY USE OF YOUR WESCO SPARTAN JR HAND TRUCK, READ THESE INSTRUCTIONS BEFORE USING.

Description

The Spartan Jr. Aluminum 2 in 1 Truck is specifically designed to smoothly transition from 2 to 4 wheeled positions. It features an 18" noseplate, non-marking swivel casters and a sturdy, lightweight aluminum frame.

This product is distributed by:

Wesco Industrial Products, LLC
1250 Welsh Road
North Wales, PA 19454
Tel: 215-699-7031 Fax: 215-699-3836

Contact the factory for parts information and ordering.
Visit us on the web at www.wescomfg.com

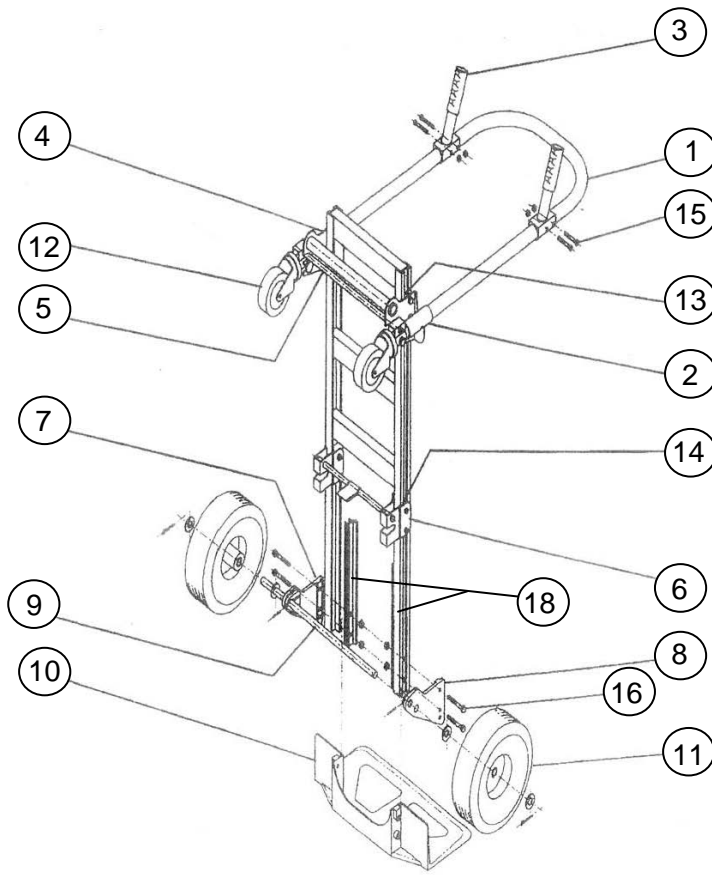


Figure 1

Unpacking

When unpacking the Wesco Product, check carefully for shipping damage and missing parts. If damage has occurred or any parts are missing, file a claim with the delivering carrier within 24 hours and notify the dealer from whom the unit was purchased.

Warranty Repairs

If the unit does not work properly, contact your dealer or the factory (215-699-7031) for units less than 90 days old.

Non-Warranty Service

If units are older than 90 days, repairs can be made easily on site with factory supplied parts.

NOTE: Do not send units to the factory for service without first obtaining a "Return Merchandise Authorization" (RMA) number from the customer service department. We will not be responsible for merchandise returned without proper authorization.

Parts List

(Item Number in Parts List identified in Figure 1)

Item	P/ N	Description	Qty.
1	151575	Handle: Spartan JR	1
2	151571	Swivel Handle	2
3	151562	Handle: Pin w/ Grip	2
4	151572	Handle: Upper Ass'y w/ Bracket	1
5	151584	Assembly: Spreader Bar	1
6	151568	Release Mechanism	1
7	151509	Box: Axle LH	1
8	151508	Box: Axle RH	1
9	151564	Axle	1
10	151527	Noseplate	1
11	151551	Wheel: "PE" Pneumatic For 220000 Only	2
	108479	Wheel: "SR" Solid Rubber For 219998 Only	2
	053446	Wheel: "CF" Flat Free For 220144 Only	2
12	151561	Caster	2
13	151573	Spacer	2
14	151574	Block	4
15	151563	Kit: Hardware For Handle/Axle	1
16	220311	Kit: Hardware For Caster	2
*17	100051	Washer: Flat 5/8 SAE For 219998 Only	4
18	055127	Channel Filler	2

*Item Not Shown

LIMITED WARRANTY

WESCO INDUSTRIAL PRODUCTS (WESCO) warrants to the purchaser of this product for a period of ninety (90) days from the date of purchase that this product shall be free of defects in material and/or workmanship, as follows:

1. WESCO will supply, at no charge, new or rebuilt replacements for any part that fails through a defect in material and/or workmanship during the warranty period. To obtain warranty service, you must deliver the product prepaid, to the WESCO factory.

2. This warranty does not cover any product or product part which has been subject to accident, misuse, abuse or negligence. WESCO shall only be liable under this warranty if the product is used in the manner intended by the manufacturer as specified in the written instructions furnished with this product.

REPAIR OR REPLACEMENT AS PROVIDED UNDER THIS WARRANTY IS THE EXCLUSIVE REMEDY OF THE PURCHASER. ANY EXPRESS WARRANTY NOT PROVIDED IN THIS WARRANTY DOCUMENT, AND ANY REMEDY FOR BREACH OF CONTRACT THAT, BUT FOR THIS PROVISION, MIGHT ARISE BY IMPLICATION OR OPERATION OF LAW, IS HEREBY EXCLUDED AND DISCLAIMED. UNDER NO CIRCUMSTANCES SHALL WESCO BE LIABLE TO PURCHASER OR ANY OTHER PERSON FOR ANY INCIDENTAL OR CONSEQUENTIAL DAMAGES, WHETHER ARISING OUT OF BREACH OF WARRANTY, EXPRESS OR IMPLIED, A BREACH OF CONTRACT OR OTHERWISE. EXCEPT TO THE EXTENT PROHIBITED BY APPLICABLE LAW, ANY IMPLIED WARRANTY OF MERCHANTABILITY AND FITNESS FOR ANY PARTICULAR PURPOSE ARE EXPRESSLY LIMITED IN DURATION TO THE DURATION OF THIS LIMITED WARRANTY.

Some states do not allow the exclusion or limitation of incidental or consequential damages, or allow limitations on how long any implied warranty lasts, so the above limitations may not apply to you. This warranty gives you specific legal rights, and you may also have other rights which vary from state to state.

Assembly Instructions

STEP 2E

HANDLE

6MM x 43 MM BOLT

NYLOC NUT

STEP 2C

WASHER
BOTH SIDES

STEP 2D

COTTER PIN
BOTH SIDES

STEP 2B

SPRING PIN
BOTH SIDES

STEP 2A

AXLE

STEP 1
FRAME

INSIDE REINFORCEMENTS

AXLE SUPPORT (R.H.) & (L.H.)
8 MM x 55 MM BOLT
NYLOC NUT

NOSEPLATE

Assemble truck with top handle facing you.

- (1) Assemble the noseplate, right axle support, left axle support, and inside reinforcements to frame with 8 mm bolts as shown. Be sure to insert reinforcements between noseplate and frame before inserting bolts. Assemble nylock nuts and tighten.
- (2) Assemble axle, wheels and handles.
 - A. Insert axle through axle supports, using the higher of two hole positions.
 - B. On inside axle holes insert spring pins through axle so the pins rest in the slots of axle support to prevent rotation.
 - C. Slide one washer on each end of axle, then wheels and then another washer.
 - D. Insert cotter pin through holes at each end of axle and bend one leg.
 - E. Rotate both handles so they are pointing upward. Align holes and assemble with 6 mm hardware provided.
- (3) Check air pressure in tires, maintain 30 PSI.