

**Assembly Instructions and Parts Manual**

ATTENTION: TO INSURE SAFE AND EASY USE OF YOUR WESCO WIRE OFFICE CART, READ THESE INSTRUCTIONS BEFORE USING.

**Description**

The Wesco Wire Office Carts are designed for a wide variety of office, light warehouse and retail uses.

**Wesco Industrial Products, LLC**

1250 Welsh Road  
North Wales, PA 19454  
Tel: 215-699-7031 Fax: 215-699-3836

Contact the factory for parts information and ordering.  
Visit us on the web at [www.wescomfg.com](http://www.wescomfg.com)

**Unpacking**

When unpacking the Wesco Product, check carefully for shipping damage and missing parts. If damage has occurred or any parts are missing, file a claim with the delivering carrier within 24 hours and notify the dealer from whom the unit was purchased.

**Warranty Repairs**

If the unit does not work properly, contact your dealer or the factory (215-699-7031) for units less than 90 days old.

**Non-Warranty Service**

If units are older than 90 days, repairs can be made easily on site with factory supplied parts.

**NOTE:** Do not send units to the factory for service without first obtaining a "Return Merchandise Authorization" (RMA) number from the customer service department. We will not be responsible for merchandise returned without proper authorization.

**General Safety Information**

The Wesco Wire Office Carts are designed for specific functions. To insure proper use, the following instructions must be adhered to:

- (1) Capacities are as follows:
  - **272228 Small Cart: 200 lbs**
  - **272230 Small Cart: 200 lbs**
  - **272231 Large Cart: 250 lbs**
- (2) Capacities are based on evenly distributed loads.
- (3) Periodically inspect unit for damages and loose or missing hardware. If required, remove from service and repair.
- (4) Use only genuine Wesco replacement parts when servicing.

**Maintenance**

- (1) Lubricate moving parts periodically.
- (2) Check bolts and nuts frequently for tightness.



**Model 272231**

**Large Cart (P/N 272231) Assembly**

- (1) Assemble cross tubes (#3) to side frames (#2) with 1-1/2" screws (#12) and nuts (#14). **Note:** Upper angles (#4 with four holes) and lower angles (#5 with holes and slots) should be assembled between frames and cross tubes.
- (2) Assemble handle (#1) to side frames (#2) with 2" screws (#11) and nuts (#14).
- (3) Assemble swivel casters (#9) to front legs of frames with 1-1/2" screws (#12) and nuts (#14). **Note:** Braces (#6) should be assembled between frames and nuts.
- (4) Insert axle adapters (#8) into back legs of frames. Slide axle (#7) through axle adapters. Assemble axle adapters to frames with 1-1/2" screws and nuts. **Note:** The flat braces should be assembled between the frames and nuts. Mount wheels (#10) onto each side of axle. Assemble pushnuts (#15) onto each end of axle.
- (5) Assemble braces (#6) to lower angles (#5) with 3/8" screws (#13).
- (6) Mount lower basket into position, mount upper basket into position. Clip short guide rod onto center of sides of upper basket. Clip long guide rods onto ends of upper baskets.

**Small Cart (P/N 272228 & 272230) Assembly**

**To assemble frame (both units):**

- (1) Assemble cross tubes (#3) to side frames (#2) with 1-1/2" screws (#8) and nuts (#10). **Note:** Upper angles (#4 with four holes) and lower angles (#5 with holes and slots) should be assembled between frames and cross tubes.
- (2) Assemble handle (#1) to side frames (#2) with 2" screws (#7) and nuts (#10).

**To assemble #172231 Caster Set (For #272228):**

- (1) Assemble swivel casters (#16) to front legs of frames and rigid casters (#17) to back legs of frames with 1-1/2" screws (#8) and nuts (#10). **Note:** Braces (#6) should be assembled between frames and nuts.
- (2) Assemble braces (#6) to lower angles (#5) with 3/8" screws (#9).

**To assemble #172230 Caster/Wheel Set (For #272230):**

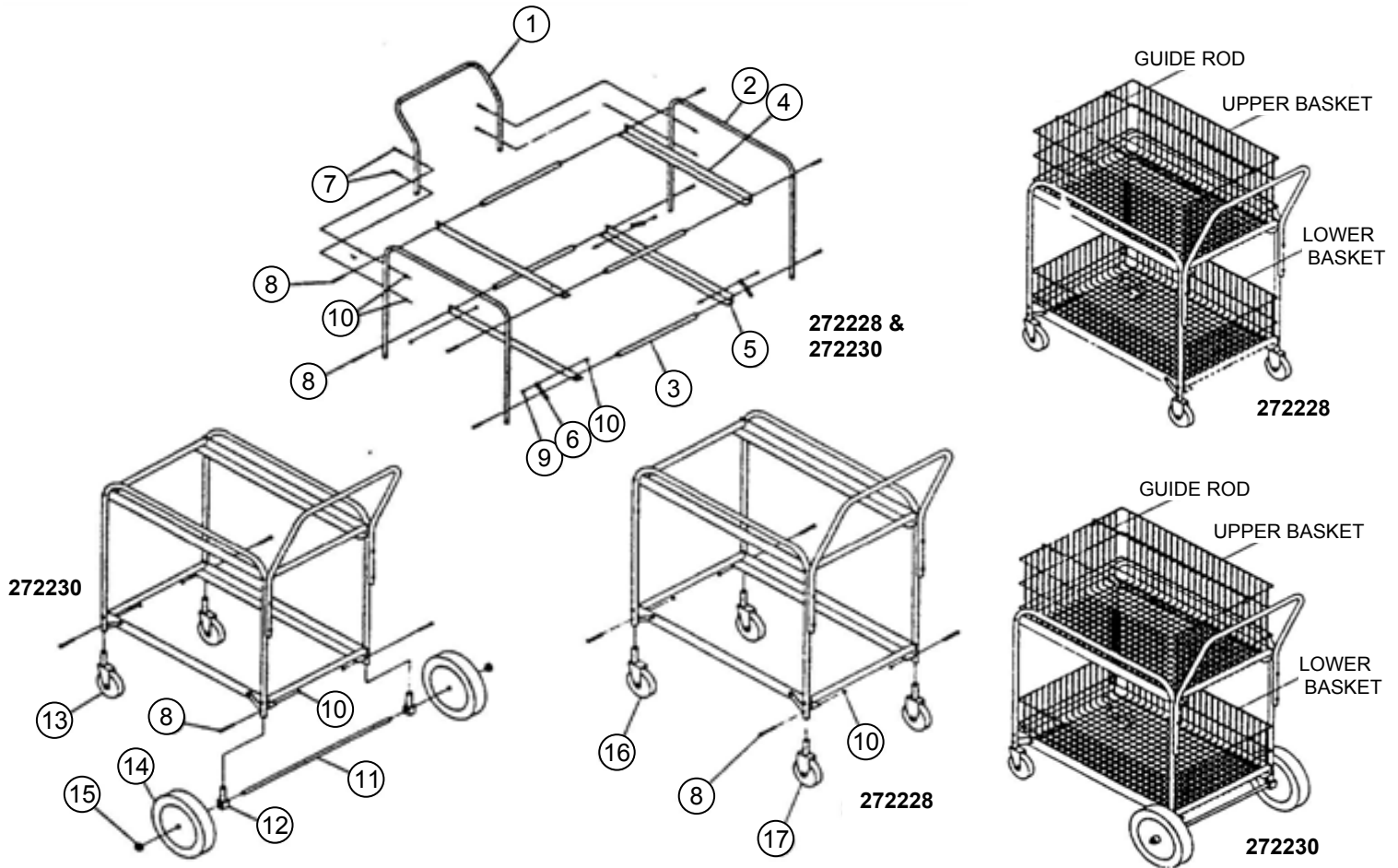
- (1) Assemble swivel casters (#13) to front legs of frames with 1-1/2" screws (#8) and nuts (#10). **Note:** Braces (#6) should be assembled between frames and nuts.
- (2) Insert axle adapters (#12) into back legs of frames. Slide axle (#11) through axle adapters. Assemble axle adapters to frames with 1-1/2" screws and nuts. **Note:** The flat braces should be assembled between frames and nuts. Mount wheels (#14) onto each side of axle. Assemble pushnuts (#15) onto each end of axle.
- (3) Assemble braces (#6) to lower angles (#5) with 3/8" screws (#9).

**Basket Assembly/Both Carts:**

- (1) Mount lower basket into position.
- (2) Mount upper basket into position.
- (3) Clip long guide rods onto end of upper baskets.

**Assembly Instructions and Parts Manual**

ATTENTION: TO INSURE SAFE AND EASY USE OF YOUR WESCO WIRE OFFICE CART, READ THESE INSTRUCTIONS BEFORE USING.

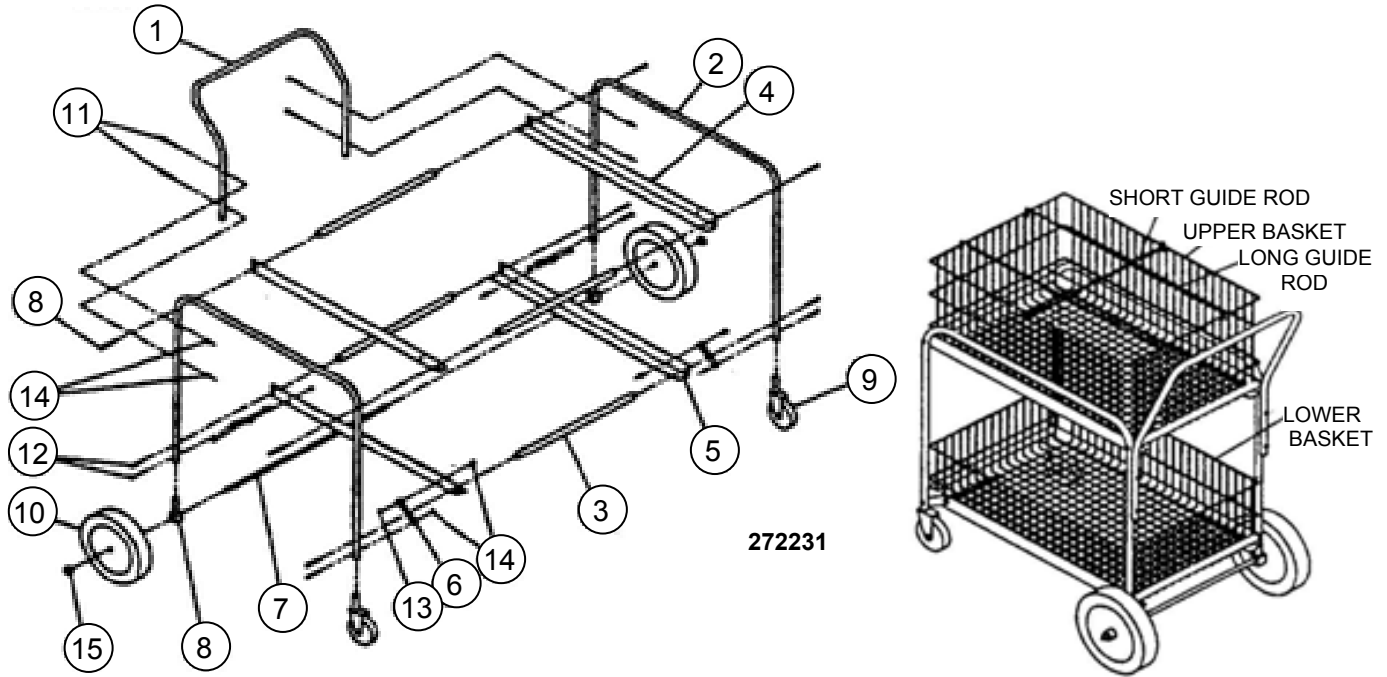


**Small Carts (P/N 272228 & 272230) Parts List**

<u>Item</u>	<u>Description</u>	<u>Qty</u>
1	Handle	1
2	Side Frame	2
3	Cross Tube	4
4	Upper Angle	2
5	Lower Angle	2
6	Flat Brace	4
7	1/4"-20 x 2" Round Head Slot Screw	4
8	1/4"-20 x 1-1/2", Round Head Slot Screw	12
9	1/4"-20 x 3/8" Round Head Slot Screw	4
10	1/4"-20 Hex Nylock Nuts	20
<b><u>#172230 Caster/Wheel Set (for 272230)</u></b>		
11	Axle	1
12	Axle Adapter	2
13	5" Swivel Caster	2
14	10" Wheel	2
15	1/2" I.D. Push Nut	2
<b><u>#172231 Caster Set (for 272228)</u></b>		
16	4" Swivel Caster	2
17	4" Rigid Caster	2

**Assembly Instructions and Parts Manual**

ATTENTION: TO INSURE SAFE AND EASY USE OF YOUR WESCO WIRE OFFICE CART, READ THESE INSTRUCTIONS BEFORE USING



**Large Carts (P/N 272231) Parts List**

<u>Item</u>	<u>Description</u>	<u>Qty</u>
1	Handle	1
2	Side Frame	2
3	Cross Tube	4
4	Upper Angle	2
5	Lower Angle	2
6	Flat Brace	4
7	Axle	1
8	Axle Adapter	2
9	5" Swivel Caster	2
10	Wheel	2
11	1/4"-20 x 2" Round Head Slot Screw	4
12	1/4"-20 x 1-1/2", Round Head Slot Screw	12
13	1/4"-20 x 3/8" Round Head Slot Screw	4
14	1/4"-20 Hex Nylock Nuts	20
15	1/2" Push Nut	2

**LIMITED WARRANTY**

WESCO INDUSTRIAL PRODUCTS (WESCO) warrants to the purchaser of this product for a period of ninety (90) days from the date of purchase that this product shall be free of defects in material and/or workmanship, as follows:

1. WESCO will supply, at no charge, new or rebuilt replacements for any part that fails through a defect in material and/or workmanship during the warranty period. To obtain warranty service, you must deliver the product prepaid, to the WESCO factory.

2. This warranty does not cover any product or product part which has been subject to accident, misuse, abuse or negligence. WESCO shall only be liable under this warranty if the product is used the manner intended by the manufacturer as specified in the written instructions furnished with this product.

REPAIR OR REPLACEMENT AS PROVIDED UNDER THIS WARRANTY IS THE EXCLUSIVE REMEDY OF THE PURCHASER. ANY EXPRESS WARRANTY NOT PROVIDED IN THIS WARRANTY DOCUMENT, AND ANY REMEDY FOR BREACH OF CONTRACT THAT, BUT FOR THIS PROVISION, MIGHT ARISE BY IMPLICATION OR OPERATION OF LAW, IS HEREBY EXCLUDED AND DISCLAIMED. UNDER NO CIRCUMSTANCES SHALL WESCO BE LIABLE TO PURCHASER OR ANY OTHER PERSON FOR ANY INCIDENTAL OR CONSEQUENTIAL DAMAGES, WHETHER ARISING OUT OF BREACH OF WARRANTY, EXPRESS OR IMPLIED, A BREACH OF CONTRACT OR OTHERWISE. EXCEPT TO THE EXTENT PROHIBITED BY APPLICABLE LAW, ANY IMPLIED WARRANTY OF MERCHANTABILITY AND FITNESS FOR ANY PARTICULAR PURPOSE ARE EXPRESSLY LIMITED IN DURATION TO THE DURATION OF THIS LIMITED WARRANTY.

Some states do not allow the exclusion or limitation of incidental or consequential damages, or allow limitations on how long any implied warranty lasts, so the above limitations may not apply to you. This warranty gives you specific legal rights, and you may also have other rights which vary from state to state.